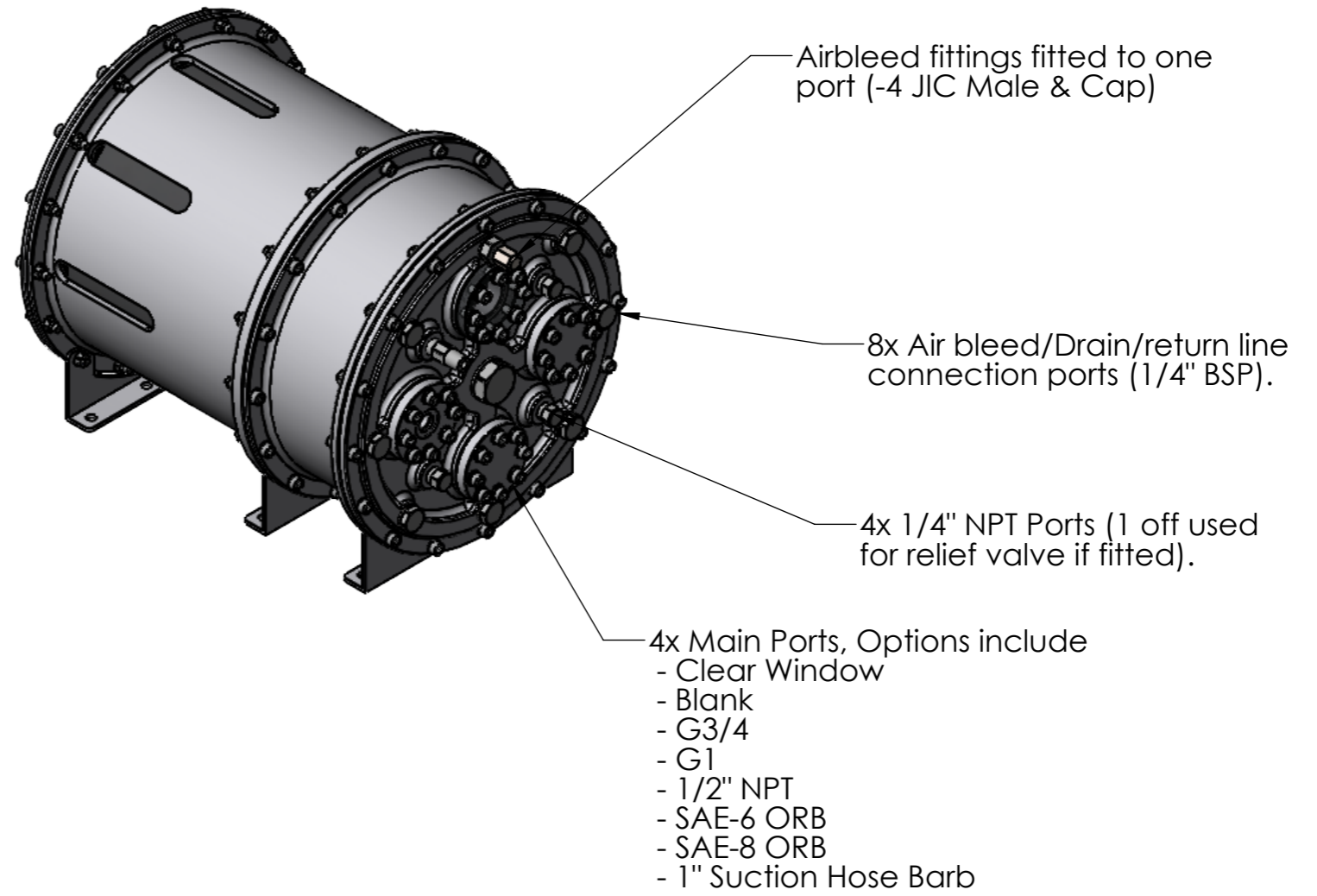
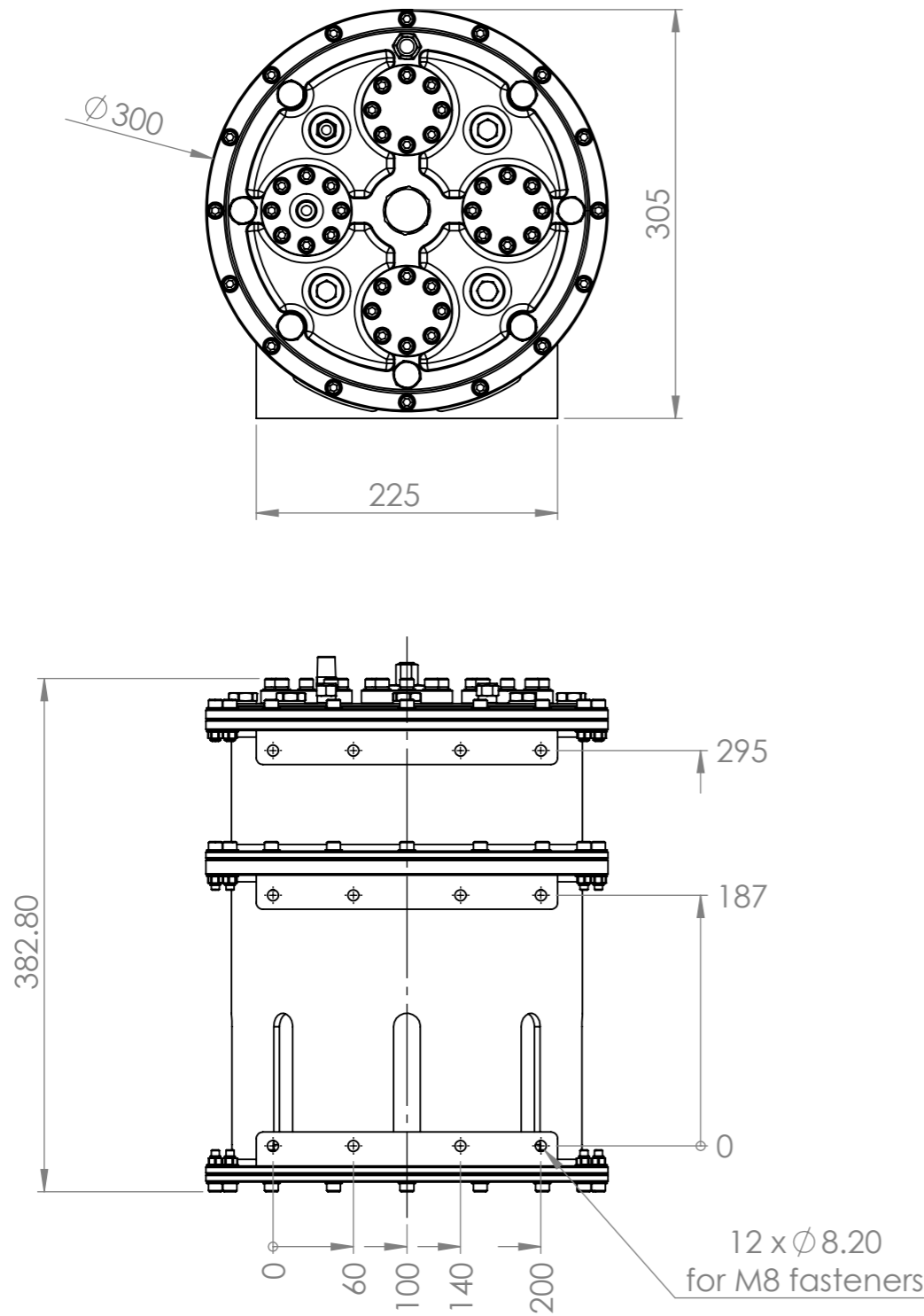


DO NOT SCALE DRAWING
THIRD ANGLE PROJECTION



NOTES

Reservoir capacity: 9550cc
 Pressure- Full: 0.25bar, Empty 0.15bar
 Materials- Body, Anodised Aluminium. Spring, SS. Diaphragm, Nitrile Rubber.

REV	DRAWN	APPV'D	DATE	DESCRIPTION
1	DGM		18/07/24	ISSUED FOR INFORMATION

RECORD OF REVISIONS

Macduff Robotics Ltd
 Aberdeen, Scotland.
www.macduff-robotics.com
enquiries@macduff-robotics.com

MATERIAL:
-
FINISH:
-
TOLERANCE:
+/- 0.1mm
WEIGHT:

TITLE:
9550cc Reservoir
- Bracket Mount
SHEET 1 OF 1

DWG NO. GA0018
SCALE: 1:5

REVISION
1
A3

DIMENSIONS ARE IN MILLIMETERS, UNLESS OTHERWISE SPECIFIED